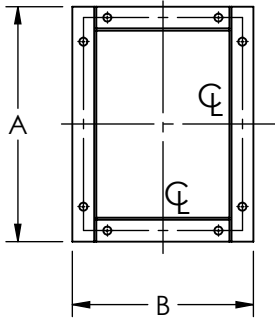
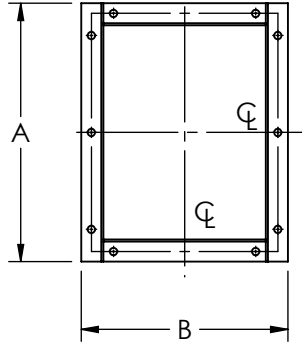


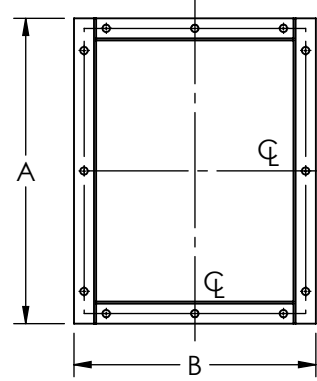
**UTILITY VENT SET FAN
 UVS2, CLASS 1, OUTLET COMPANION FLANGE**



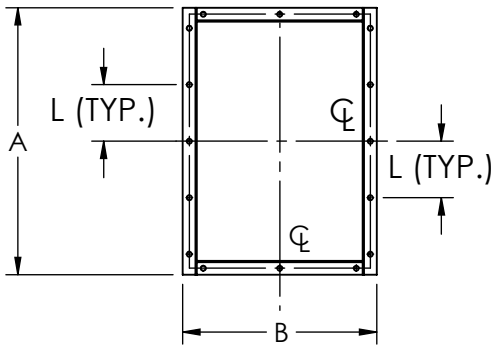
SIZES : 60-122



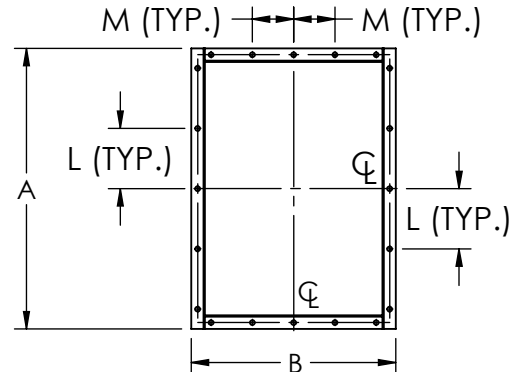
SIZES : 135-150



SIZES : 165-245



SIZE : 270



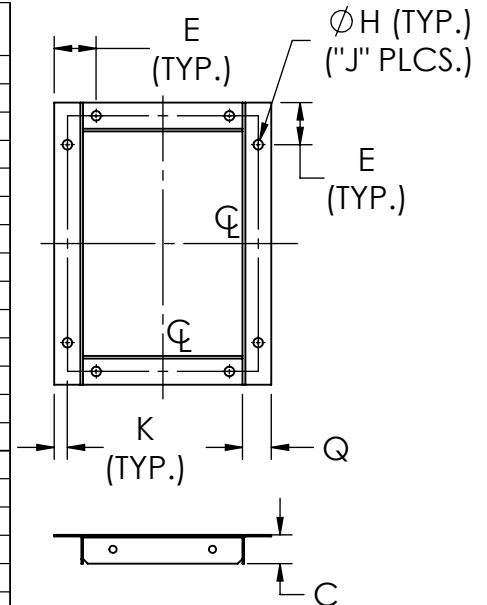
SIZES : 300-542

NOTE:

1. COMPANION FLANGE FOR STANDARD CONSTRUCTION WILL BE WELDED AND SHIPPED LOOSE WITH FAN.

DIMENSIONAL DETAILS

SIZE	A	B			C	E	H	J	K	L	M			Q
		100% W	80% W	50% W							100% W	80% W	50% W	
60	14.69	11.31	-	-	1.50	2.19	0.50	8	0.69	-	-	-	-	1.50
70	14.69	11.31	-	-	1.50	2.19	0.50	8	0.69	-	-	-	-	1.50
80	14.69	11.31	-	-	1.50	2.19	0.50	8	0.69	-	-	-	-	1.50
105	14.69	11.31	-	-	1.50	2.19	0.50	8	0.69	-	-	-	-	1.50
122	16.19	13.00	9.25	-	1.50	2.19	0.50	8	0.69	-	-	-	-	1.50
135	17.50	14.00	10.19	-	1.50	2.19	0.50	10	0.69	-	-	-	-	1.50
150	19.00	15.19	11.31	-	1.50	2.19	0.50	10	0.69	-	-	-	-	1.50
165	20.69	16.38	12.44	-	1.50	2.19	0.50	12	0.69	-	-	-	-	1.50
182	23.19	17.19	13.06	11.63	1.50	2.19	0.50	12	0.69	-	-	-	-	1.50
200	25.63	19.00	14.38	12.75	1.75	2.56	0.63	12	0.81	-	-	-	-	1.75
222	28.13	20.75	16.00	14.13	1.75	2.56	0.63	12	0.81	-	-	-	-	1.75
245	30.63	22.38	17.50	15.63	1.75	2.56	0.63	12	0.81	-	-	-	-	1.75
270	33.38	24.25	19.38	17.13	1.75	2.56	0.63	16	0.81	7.06	-	-	-	1.75
300	36.50	26.63	21.50	19.13	1.75	2.56	0.63	20	0.81	7.81	5.38	5.00	4.44	1.75
330	39.81	28.88	23.63	21.00	1.75	2.56	0.63	20	0.81	8.69	5.94	5.50	4.88	1.75
365	43.69	31.50	26.13	23.25	1.75	2.56	0.63	20	0.81	9.63	6.56	6.13	5.44	1.75
402	48.25	34.88	28.88	25.63	2.00	2.94	0.75	20	0.94	10.56	7.25	6.75	5.94	2.00
445	52.88	38.13	31.88	28.25	2.00	2.94	0.75	20	0.94	11.75	8.06	7.50	6.63	2.00
490	57.63	41.63	35.13	31.13	2.00	2.94	0.75	20	0.94	12.94	8.94	8.31	7.31	2.00
542	63.31	45.63	38.88	34.50	2.00	2.94	0.75	20	0.94	14.38	9.94	9.25	8.19	2.00



ALL DIMENSIONS ARE IN INCHES.

REVISION:

FORM:

REPLACES: